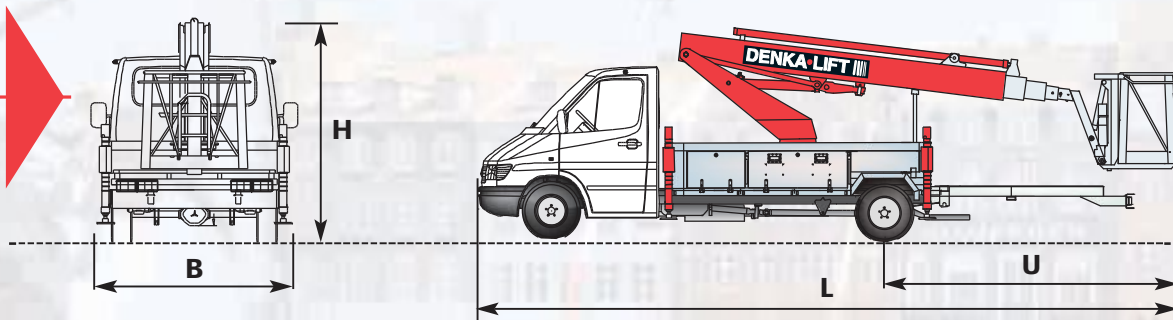
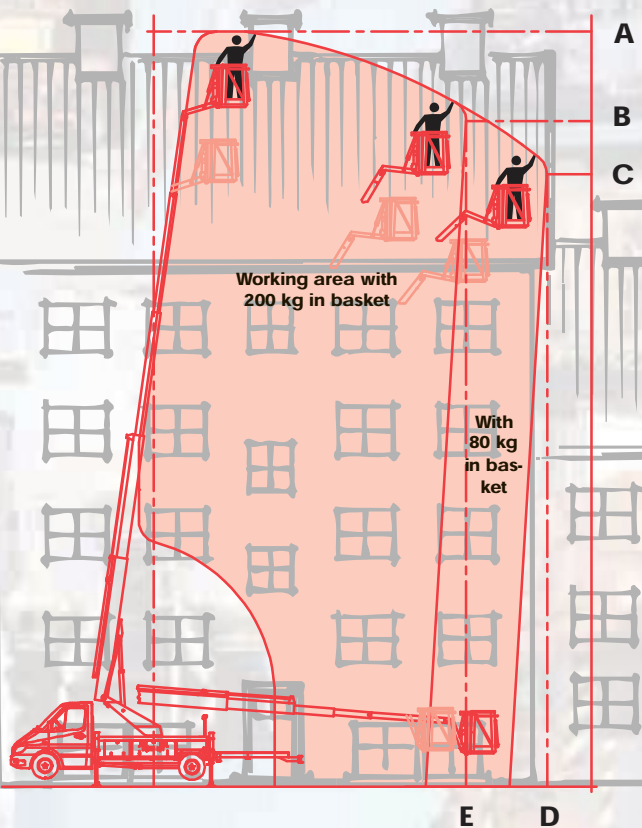


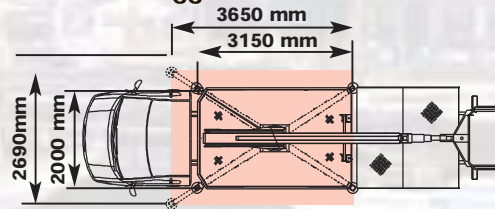
## Technical data



## Max working height



## Outrigger cross section



Standard model	DL19T	DL21T
<b>Capacity</b>		
Max. working height A	18.7 m	20.9 m
Working height B	16.0 m	19.3 m
Working height C	13.0 m	17.2 m
Max. reach D	10.2 m	10.8 m
Reach E	7.8 m	7.8 m
Max. load in basket	200 kg	200 kg
Slew movement	420°	420°
<b>Transport dimension</b>		
length L1	8400 mm	8400 mm
Overhang U	3400 mm	3400 mm
Height H	2550 mm	2550 mm
Width B	2200 mm	2200 mm
Net weight standard	<3500 kg	<3500 kg

Incl. truck Mercedes Sprinter

### STANDARD EQUIPMENT:

- Rotating alu basket 1200 mm
- Proportional control
- Hydraulic outriggers
- ELCB 30 mA
- Hour counter
- 230 Volt main supply
- Variable outrigger position
- Start/stop of truck engine from basket

### EXTRA ACCESSORIES:

- Yellow rotating light
- Height limiting system 2 steps
- Special colours
- Yellow flashing light on outriggers
- Biological degradable hydraulic oil
- Adjustable Basket from ground level

For further information on machine sales contact:

Mr. Mark Pugh

Westside, London Road, Hickstead,  
West Sussex, RH17 5LZ, England.

Email: [mpugh@facelift.co.uk](mailto:mpugh@facelift.co.uk) Web: [www.facelift.co.uk](http://www.facelift.co.uk)

Tel: +44 (0) 1444 880913 Fax: +44 (0) 1444 881199

# facelift

access and safety made easy

**DENKA LIFT**